

# 10 & 15 JOULE XENON BEACONS EExd(e), Weatherproof XB10 Range



## Introduction

These compact and lightweight 10 & 15 Joule beacons have been designed for use in potentially explosive atmospheres and harsh environmental conditions. The beacon housing, including the flamepaths, is manufactured completely from a UV stable glass reinforced polyester which is ideally suited for use offshore and onshore.

Stainless Steel screws and mounting bracket are incorporated ensuring a totally corrosion free unit. An additional body clamp is available for high-vibration environments.

Units can be painted to customer specification and supplied with identification labels.

- ★ Zone 1 and Zone 2 use.
- ★ EExd(e) IIB T4.
- ★ ATEX Approved, Ex II 2G.
- ★ BASEEFA Certified.
- ★ GOST 'R' Certified.
- ★ Brazilian (Inmetro) Certified.
- ★ IP66 and IP67.
- ★ Certified Temperature\* -55°C to +55°C.
- ★ Low current 10 Joule version available.
- ★ Corrosion Free GRP.
- ★ Various lens colours.
- ★ Lens guard fitted as standard.
- ★ Stainless steel mounting bracket & screws.
- ★ Replaceable twin tubes.
- ★ Optional telephone initiate.
- ★ Optional earth continuity.

\* Model dependent.

MEDC Ltd, Colliery Road,  
Pinxton, Nottingham NG16 6JF, UK.  
Tel: +44 (0)1773 864100  
Fax: +44 (0)1773 582800

MEDC International, 5829 West Sam Houston Parkway,  
North, Suite 1005, Houston, Texas 77041, USA.  
Tel: +1 (713) 937 9772  
Fax: +1 (713) 937 9773

MEDC Norway, Auglaendsmyraa 6,  
4016, Stavanger, Norge.  
Tel: +47 913 92 289  
Fax: +47 914 46 030

Sales Enq. Fax: +44 (0)1773 582830 Sales Orders Fax: +44 (0)1773 582832  
E-Mail: sales@medc.com Web: www.medc.com



# Specification

**Certification:** CENELEC EN50014, EN50018, EN50019.  
 Cert. No. BAS00ATEX2226X EExde IIB T4.  
 Cert. No. BAS00ATEX2204X EExd IIB T4.  
 Zone 1 and Zone 2.  
**GOST 'R' Certification** – 1Exd IIB T4 / 2Exde IIB T4, Russian Fire Alarm Approved (VNIPO)  
 Brazilian (Inmetro) Certified: BR-Ex d IIB T4  
 BR-Ex de IIB T4

**Materials:** Body & Cover - Glass Reinforced Polyester (GRP).  
 Lens - Glass.  
 Screws & Bracket - Stainless Steel 316

**Finish:** Natural or painted to customer requirements.

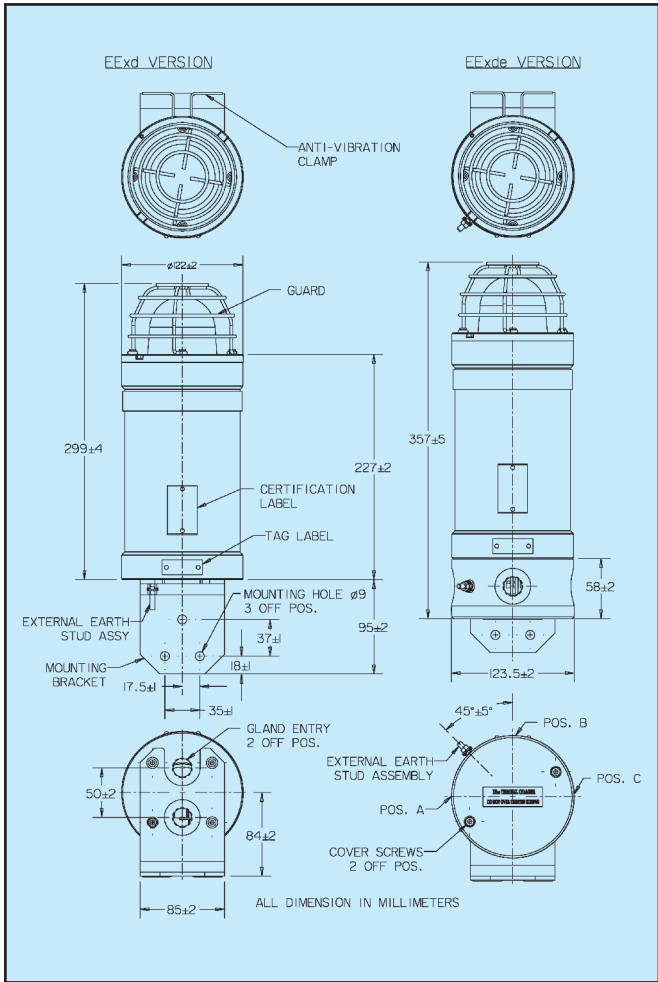
Voltage	DC				AC			
	24	48	110	220/240/254	24	48	110	220/240/254
Tube Energy (J)	10	15	10	15	10	15	10	15
Peak Current Consumption (mA)	700	1200	300	560	190	300	100	145
Effective Intensity (Cd)	285	330	285	330	285	330	285	330
Peak Intensity (Cd)	74179	111269	74179	111269	74179	111269	74179	111269
Power Consumption (W)	16.8	28.8	14.4	26.8	20.9	33	24	34.8
Flash Rate	1Hz (other flash rates available on request, please specify)							

Note: The above figures (Cd) are for a clear lens @ 1Hz flash rate.

### For Coloured Lenses:

Colour	Red	Blue	Amber	Green	Yellow
Multiplying Factors (Approximate)	0.15	0.12	0.51	0.49	0.86

**Weight:** EExd 2.8kg. EExde 3.6kg.  
**Certified Temperature:** 15J unit: EExd -55°C to +40°C.  
 EExde -50°C to +40°C.  
 10J unit: EExd -55°C to +55°C.  
 EExde -50°C to +45°C.  
**Ingress Protection:** IP66 & IP67.  
**Fire Retardancy:** GRP is fire retardant to ISO 1210.  
**Terminals:** 4 x 2.5mm<sup>2</sup> (d.c.), 6 x 2.5mm<sup>2</sup> (a.c.).  
**Mounting:** Wall mounted via bracket.  
**Entries:** Up to 2 x M20 (EExd). Up to 3 x M20 (EExde).  
 Optional: 1 x 3m cable tail (both EExd & EExde).



# Ordering Requirements

The following code is designed to help in the selection of the correct unit. Build up the reference number by inserting the code for each component into the appropriate box. **Standard products available ex-stock as follows:**

PRODUCT	DESCRIPTION
<b>XB10D024FRNN2BN</b>	ATEX approved Ex II 2G, certified EExdIIB T4, 15 Joule Xenon, 24V d.c., 60 flashes/min., red lens, lens guard, 2 x M20 entries, natural black finish.
<b>XB10D024FANN2BN</b>	ATEX approved Ex II 2G, certified EExdIIB T4, 15 Joule Xenon, 24V d.c., 60 flashes/min., amber lens, lens guard, 2 x M20 entries, natural black finish.
<b>XB10D240FRNN2BN</b>	ATEX approved Ex II 2G, certified EExdIIB T4, 15 Joule Xenon, 240V a.c., 60 flashes/min., red lens, lens guard, 2 x M20 entries, natural black finish.
<b>XB10D240FANN2BN</b>	ATEX approved Ex II 2G, certified EExdIIB T4, 15 Joule Xenon, 240V a.c., 60 flashes/min., amber lens, lens guard, 2 x M20 entries, natural black finish.

Model	Certification	Voltage	Power	Lens Colour	Labels	Options	Entries	Body Colour
XB10								

Certification	Code	Voltage	Code	Colour	Code	Tag/Duty Label	Code	Entries	Code	Finish	Code
Uncertified	W	24V d.c.	024	Red	R	None	N	EExd		Natural Black	N
EExd	D	48V d.c.	048	Blue	B	*Yes	Y	1 x M20	1B	Red	R
EExde	E	110V a.c.	110	Green	G	*(Please specify)		1 x PG13.5	1P	Blue	B
GOST 'R' Exd	DG*	220V a.c.	220	Yellow	Y			2 x M20	2B	Yellow	Y
GOST 'R' Exe	EG*	240V a.c.	240	Amber	A			2 x PG13.5	2P	Grey	G
Inmetro EExd	DM	254V a.c.	254	Clear	C			EExd(e)		White	W
Inmetro EExde	EM							3 x M20	3B	Special Finish	S

Power	Code	Option	Code
10J	T	Telephone Initiate	T
15J	F	Earth Continuity	E
		3m cable tail	G
		None	N

\*VNIPO Approved as standard.



All the above specifications, dimensions, weights and tolerances are nominal (typical) and MEDC reserve the right to vary all data without prior notice. No liability is accepted for any consequence of use.