

SOUNDERS – Up to 110 dB(A) Intrinsically Safe (EExia), Weatherproof DB7 Range



Introduction

This range of ruggedised, intrinsically safe and weatherproof sounders, intended for use in potentially explosive atmospheres, has been designed with high ingress protection to cope with the harsh environmental conditions found offshore and onshore in the oil, gas and petrochemical industries.

The unit is available in 12V and 24V versions and for gas groups IIB or IIC.

A lower cost, uncertified version is available for use in non-explosive atmospheres.

- ★ Zones 0, 1, 2 and safe area use.
- ★ EExia IIB/IIC T4.
- ★ ATEX approved Ex II 1G.
- ★ Weatherproof uncertified version.
- ★ BASEEFA certified.
- ★ GOST 'R' certified.
- ★ IP66 & IP67.
- ★ Certified temperature –55°C to +70°C.
- ★ Corrosion resistant red painted GRP.
- ★ Up to 110 dB(A) output.
- ★ 27 tones, user selectable.
- ★ Tones comply with UKOOA/PFEER guidelines.
- ★ Any two tones may be switched by the external voltage supply.
- ★ Retained stainless steel cover screws.

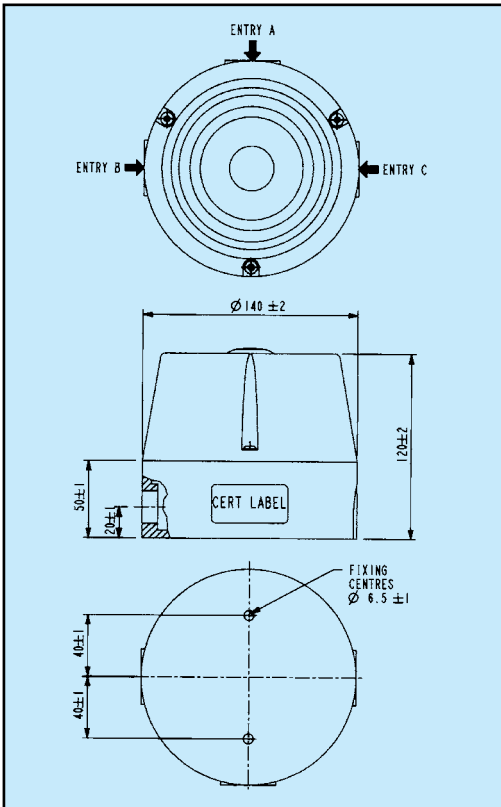
MEDC Ltd, Colliery Road,
Pinxton, Nottingham NG16 6JF, UK.
Tel: +44 (0)1773 864100
Fax: +44 (0)1773 582800

MEDC International, 5829 West Sam Houston Parkway,
North, Suite 1005, Houston, Texas 77041, USA.
Tel: +1 (713) 937 9772
Fax: +1 (713) 937 9773

MEDC Norway, Auglaendemyraa 6,
4016, Stavanger, Norge.
Tel: +47 913 92 289
Fax: +47 914 46 030

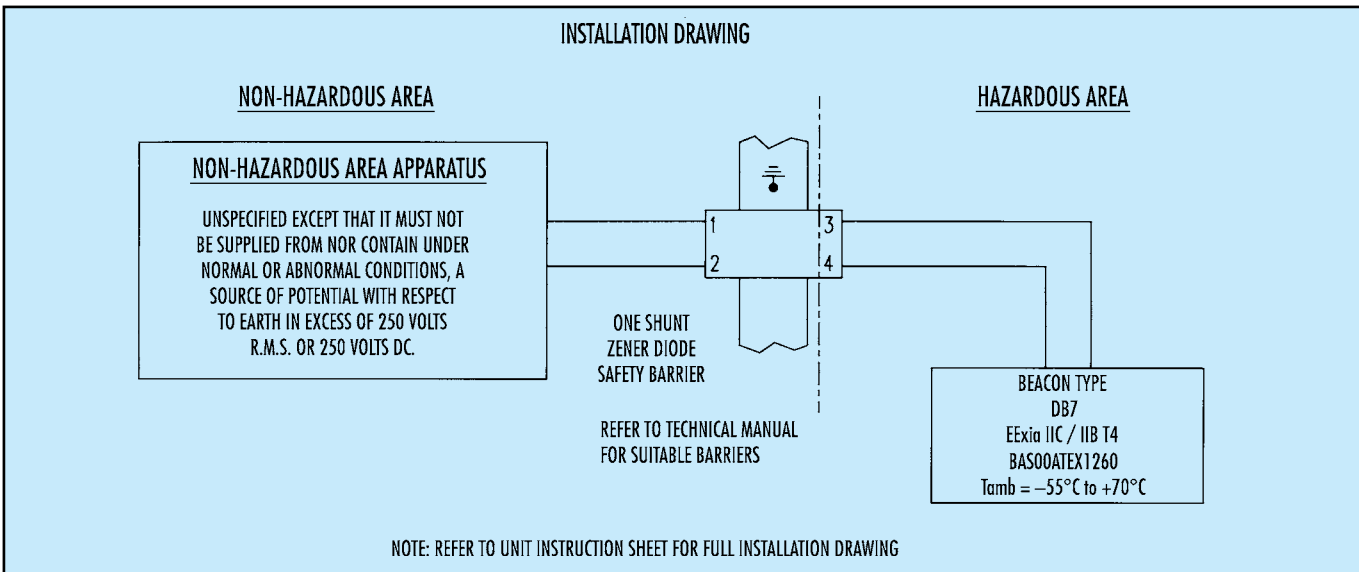
Sales Enq. Fax: +44 (0)1773 582830 Sales Orders Fax: +44 (0)1773 582832
E-Mail: sales@medc.com Web: www.medc.com

MEDC



Specification

| | |
|------------------------|--|
| Certification: | CENELEC EN 50014, 20 & 39. Certificate No. BAS00ATEX 1260 (apparus). Certificate No. 96D2362 (system). EExia IIC T4 or EExia IIB T4. Zones 0, 1 & 2. GOST 'R' Certification: 0EExia IIC T4, 0EExia IIB T4. |
| Material: | UV stable glass reinforced polyester. Retained stainless steel cover screws. |
| Finish: | Painted red as standard or to customer's specification. |
| Sound Output: | 107 ± 3 dB(A) at 1 metre for 12V and 24V IIB versions. 103 ± 3 dB(A) at 1 metre for 12V and 24V IIC versions. Typical value only – variable with tone. |
| Tone Selection: | Switchable between any two of the 27 tones by reversing the polarity of the supply. |
| Weight: | 1.0 kg. |
| Certified Temperature: | -55°C to $+70^{\circ}\text{C}$. |
| Ingress Protection: | IP66 & IP67. |
| Voltage: | 12V or 24V via suitable barrier. |
| Current Consumption: | 24V models 34mA – 68mA. 12V models 25mA – 55mA. |
| Terminals: | $8 \times 2.5\text{mm}^2$. |
| Labels: | Duty and tag labels available. |
| Cable Entries: | Up to $3 \times \text{M20}$ via knockouts. |



Ordering Requirements

The following code is designed to help in selection of the correct unit. Build up the reference number by inserting the code for each component into the appropriate box. **For standard products, available ex-stock, contact sales office for details.**

| | | | | | | | |
|------------------|----------------------|----------------------|----------------------|-------------------------|------|-------------|------|
| Unit Type | Certification | Voltage | Labels | Colour | | | |
| DB7P | <input type="text"/> | <input type="text"/> | <input type="text"/> | <input type="text"/> | | | |
| Certification | Code | Voltage | Code | Label | Code | Colour | Code |
| Uncertified | W | 12V | 012 | Duty | D* | Painted Red | R |
| ATEX/CENELEC IIB | BB | 24V | 024 | Tag | T* | Special | S* |
| ATEX/CENELEC IIC | BC | | | None | N | | |
| GOST 'R' IIB | GB | | | *Please specify wording | | | |
| GOST 'R' IIC | GC | | | | | | |



All the above specifications, dimensions, weights and tolerances are nominal (typical) and MEDC reserve the right to vary all data without prior notice. No liability is accepted for any consequence of use.